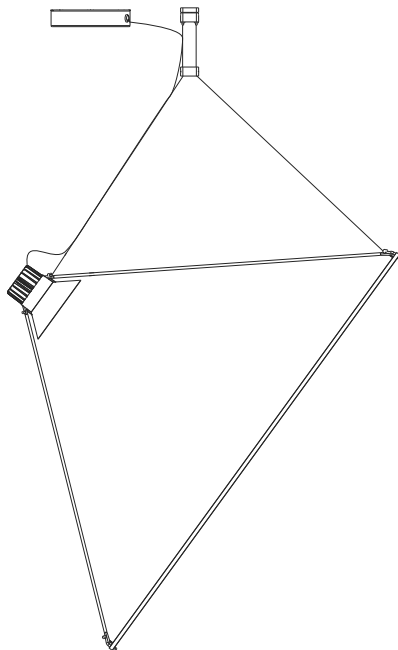


AMISOL

design Daniel Ribakken

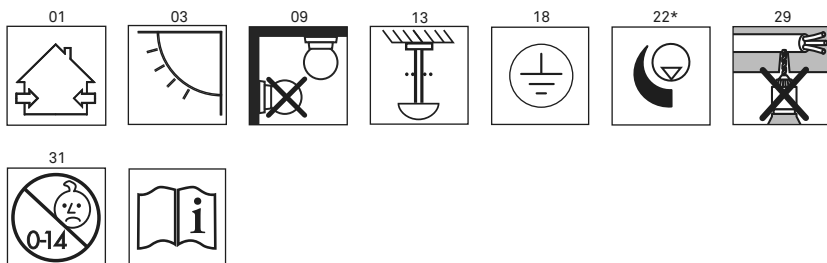


**LUCE
PLAN**

D91



D91

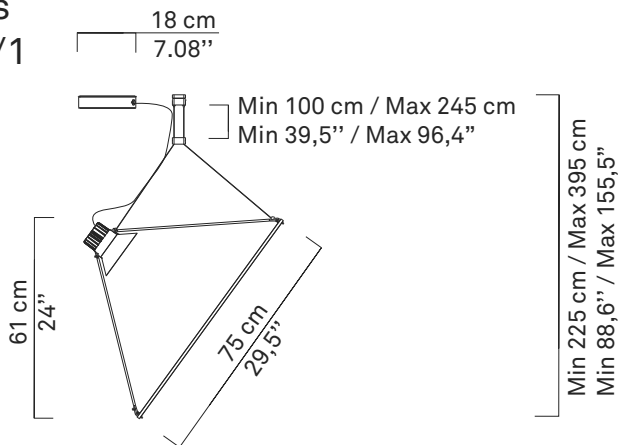


22* Amisol drivers are suitable for use with 1-10 V

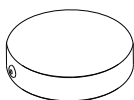
Les pilotes Amisol conviennent à une utilisation avec 1-10 V

Los drivers Amisol son adecuados para su uso con 1-10 V

D91s D91/1



x1



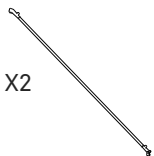
x 1



x 1



x 1



x2



x1



x 2

(3 m - 118")



x 1

⊙ x4



x4



x2



x2

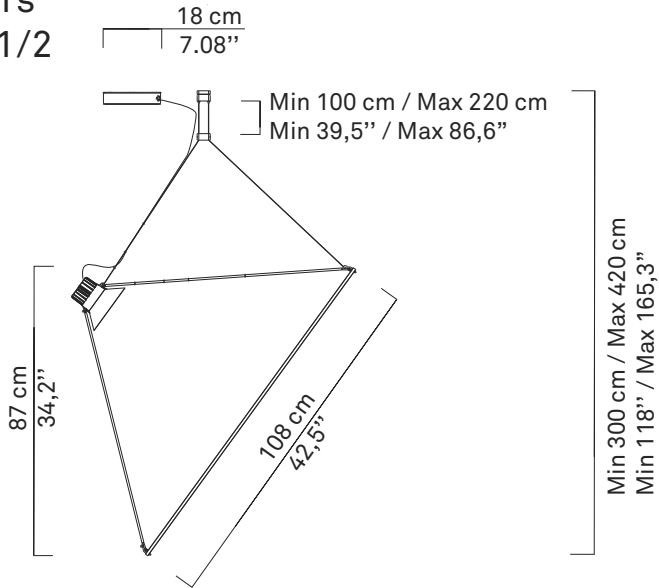


x 1

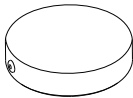
kg 2.5 kg

lb 5.51 lb

D91s
D91/2



X1



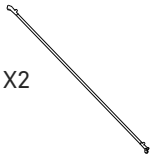
x 1



x 1



x 1



X2



X1



x 2

(3 m - 118")



x 1

⊙ X4



X4



X2



X2



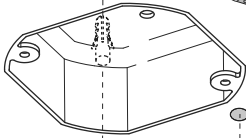
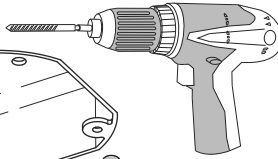
x 1

kg 3.05 kg lb 6.72 lb

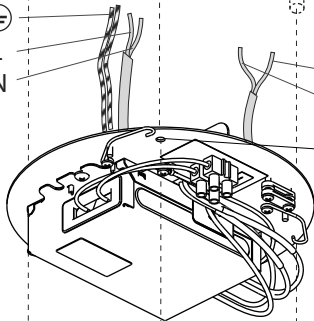
1

D91s
D91/1
D91/2

1.



⊕
L
N



+ Dim 0-10V
-

Ø 5mm
Ø 0,19"

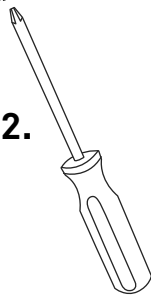
3.

⊕ yellow/green
jaune/vert
amarillo/verde

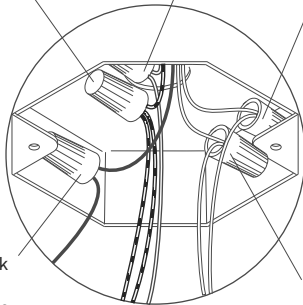
N white
blanc
blanco

Dim⁺

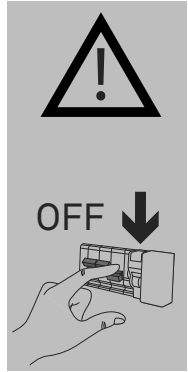
2.



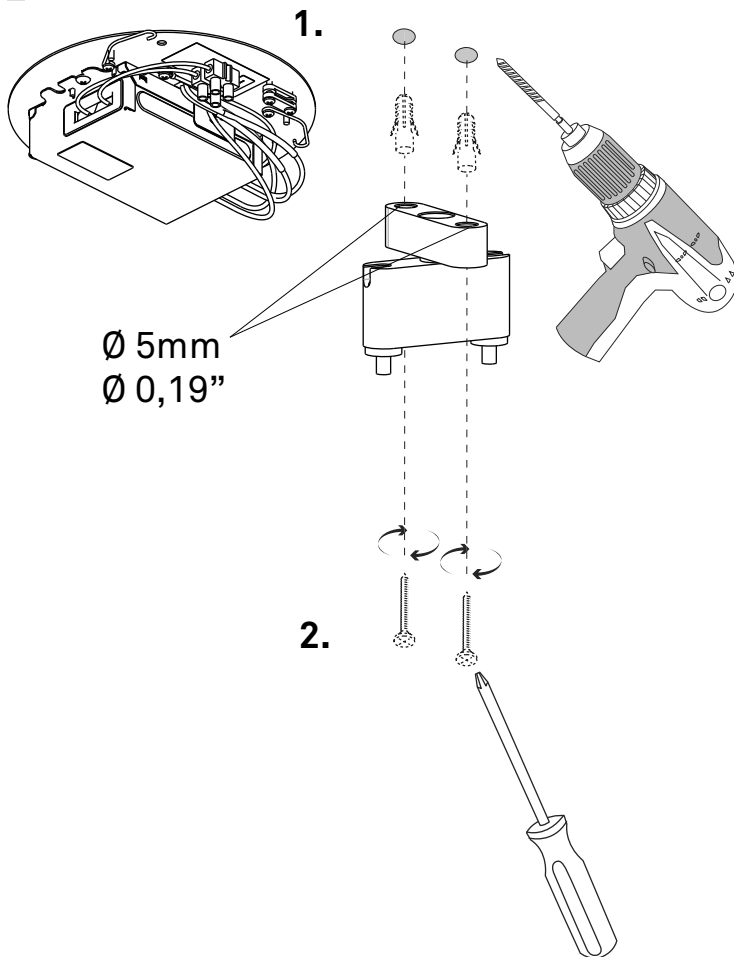
L black
noir
negro



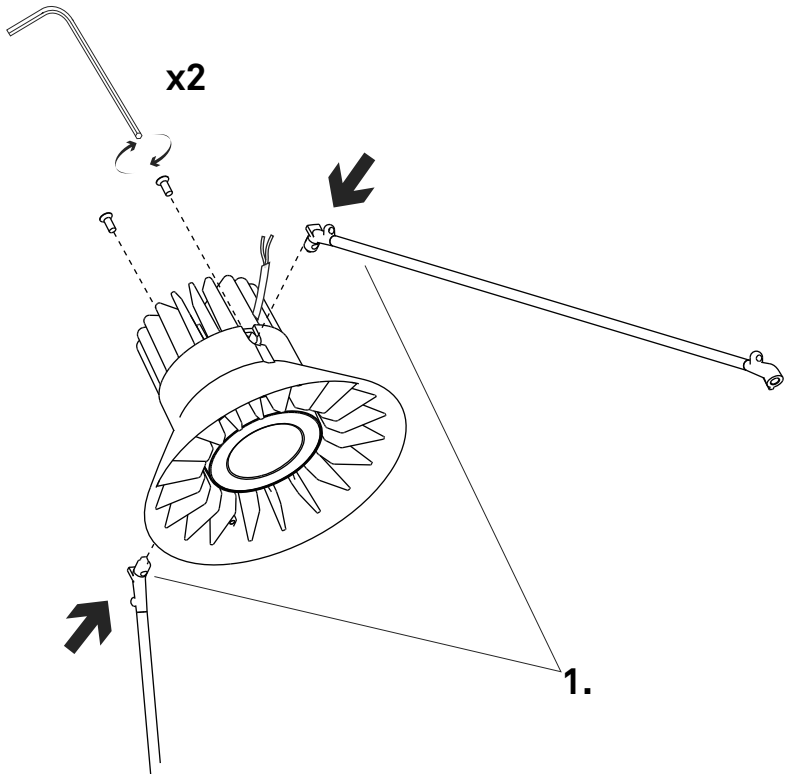
Dim⁺



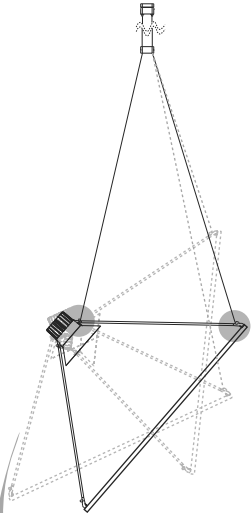
2



3

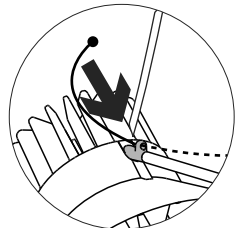
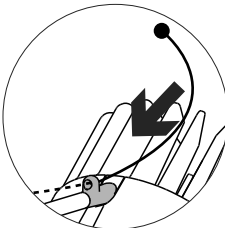
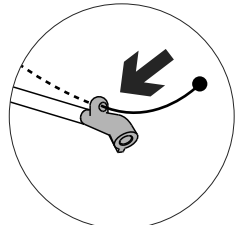
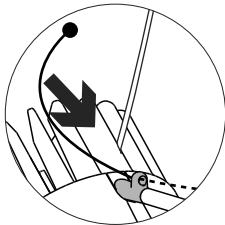


4

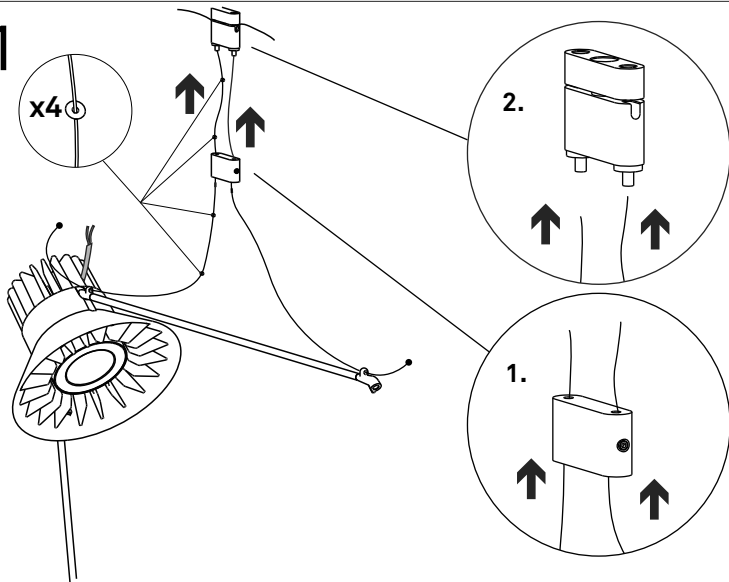


x 2

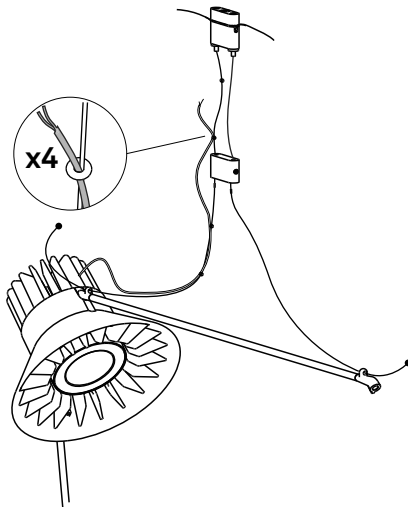
x 2



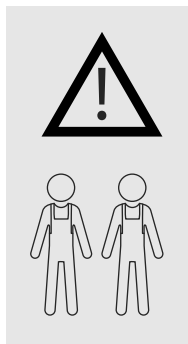
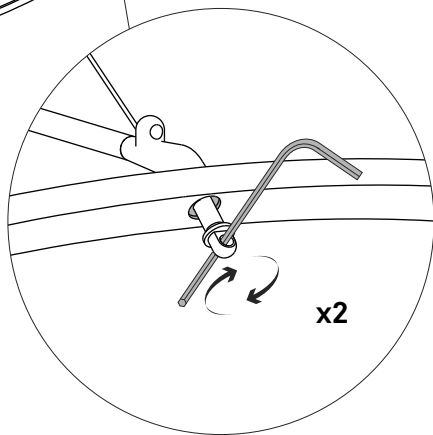
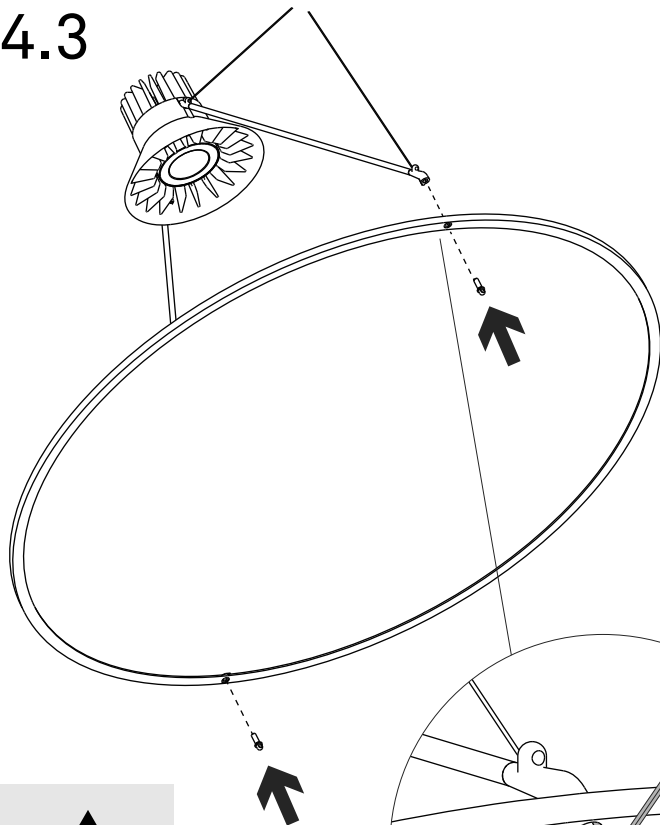
4.1



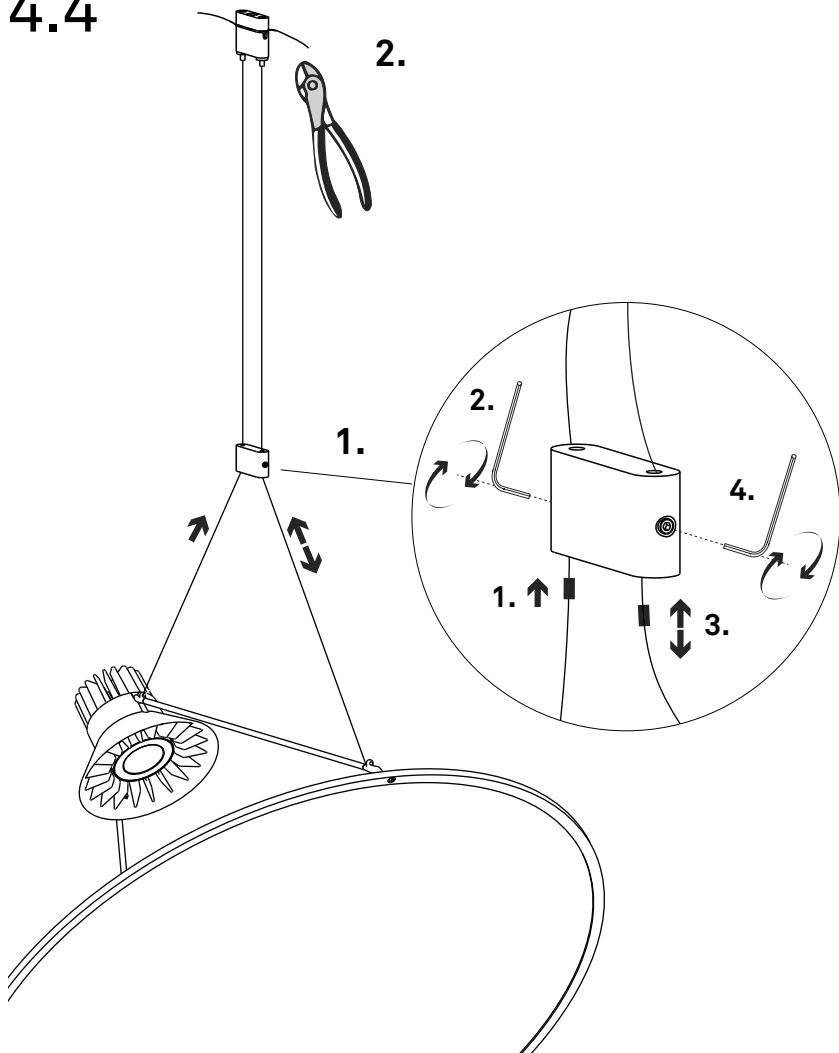
4.2



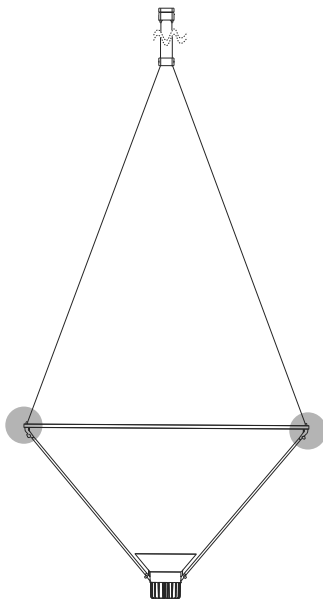
4.3



4.4



5

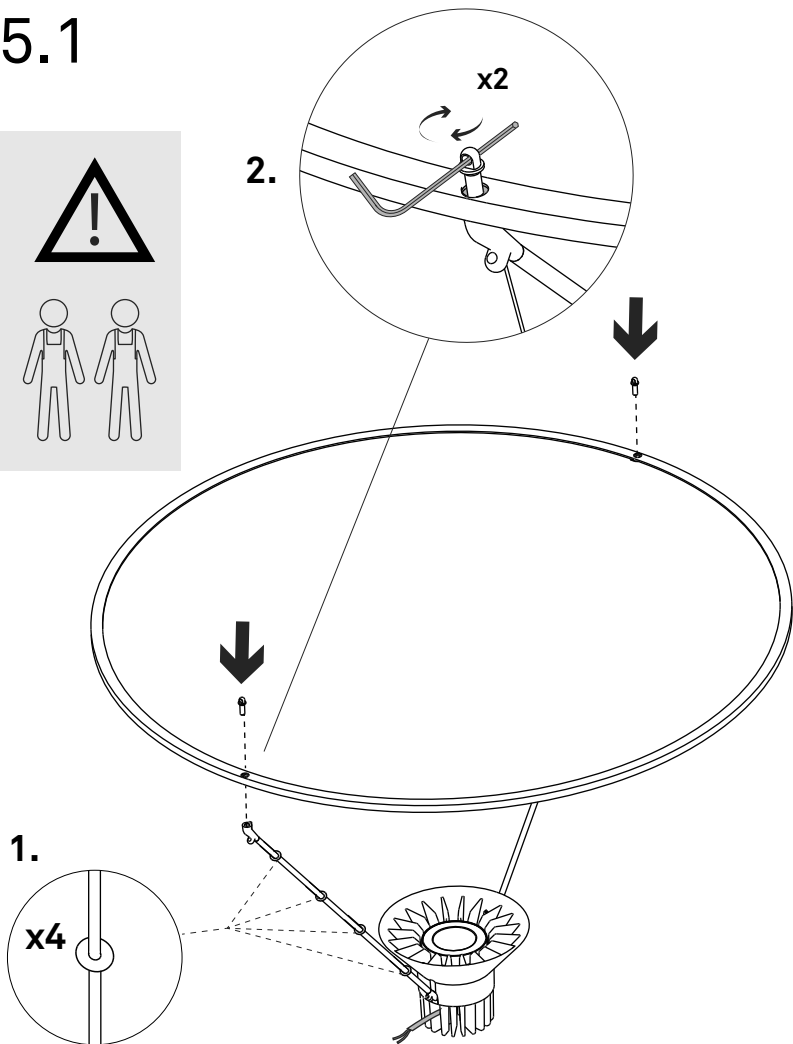
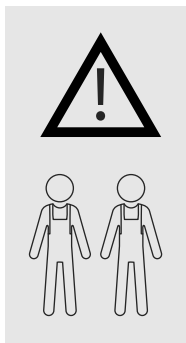


x 2

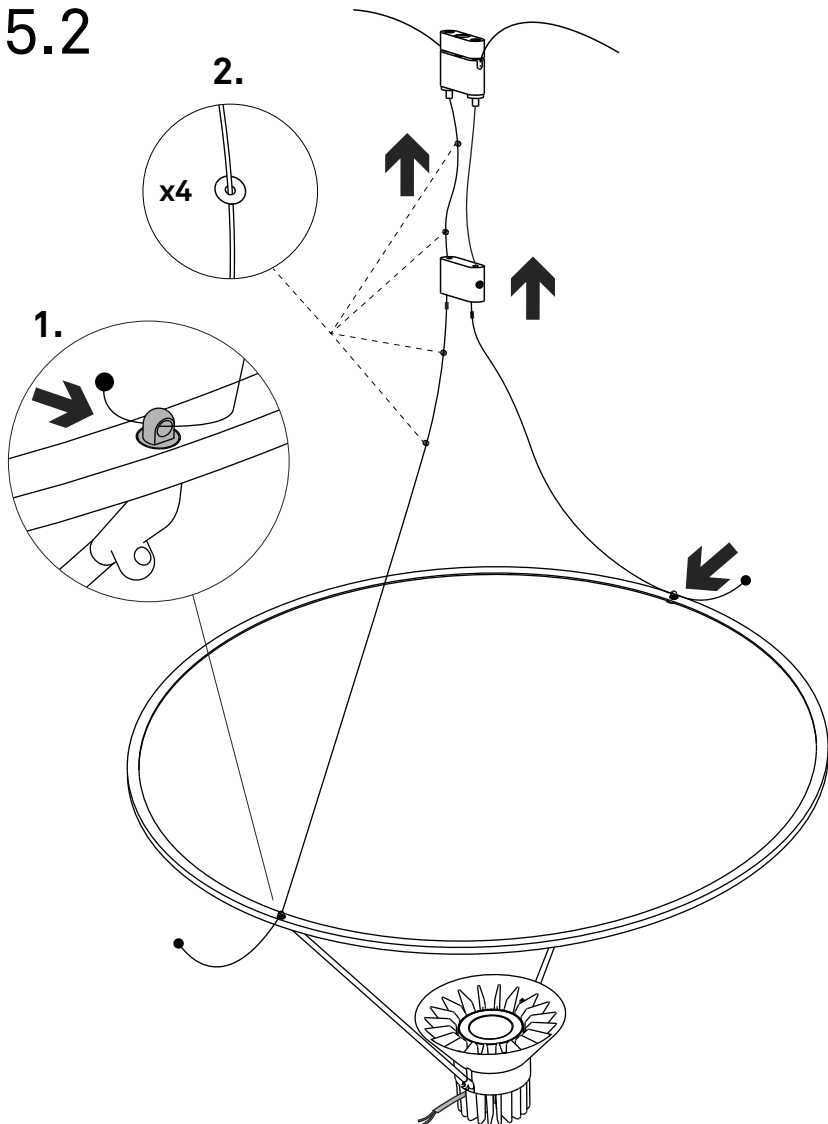


→ 3

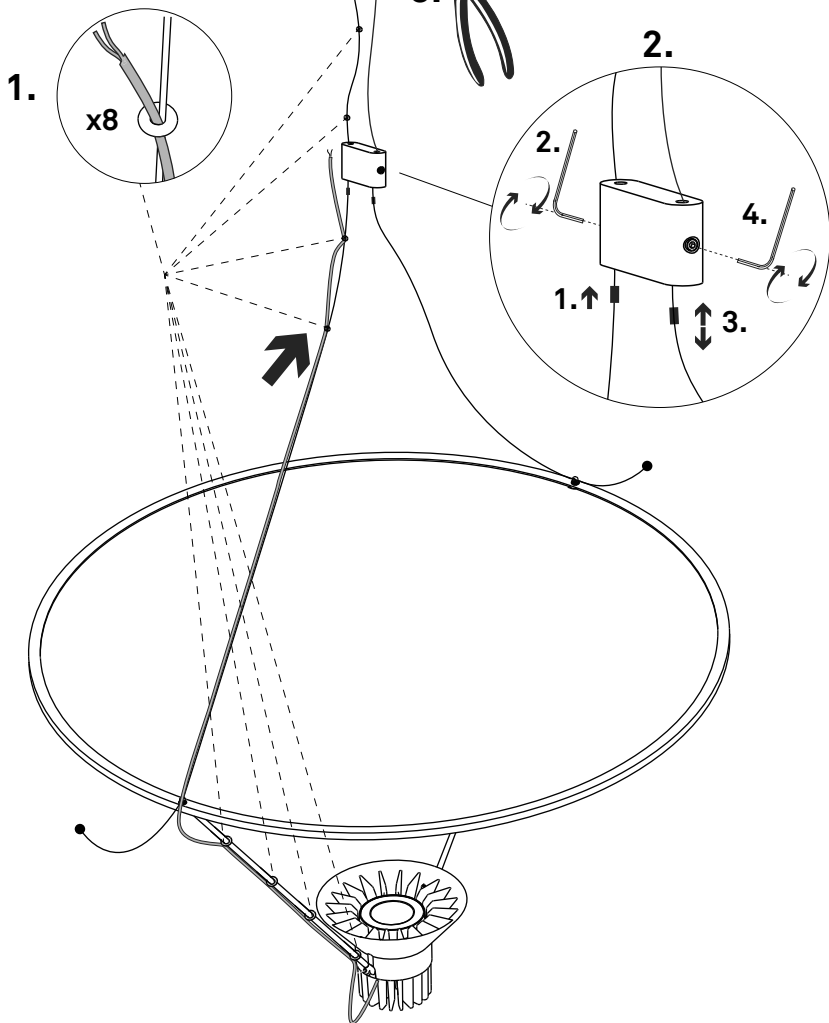
5.1



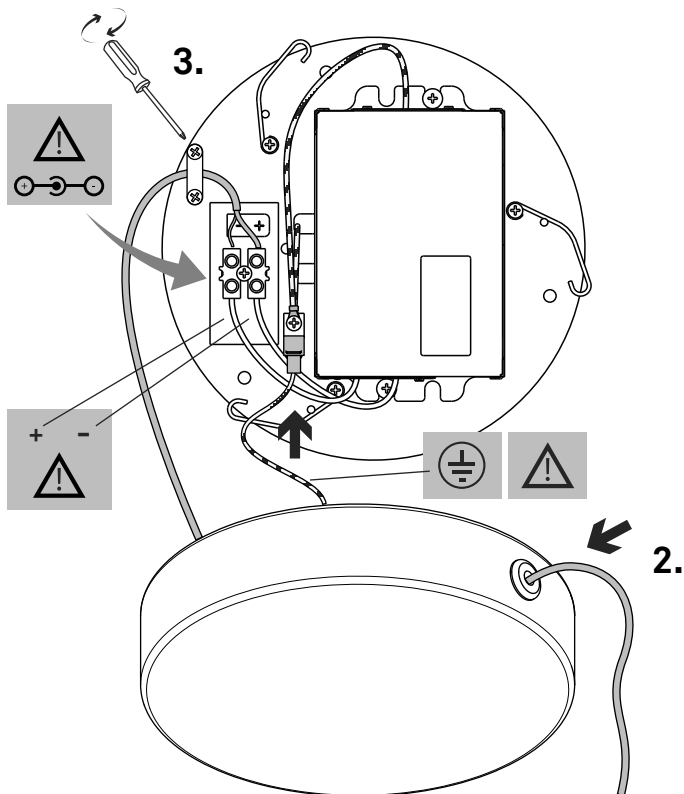
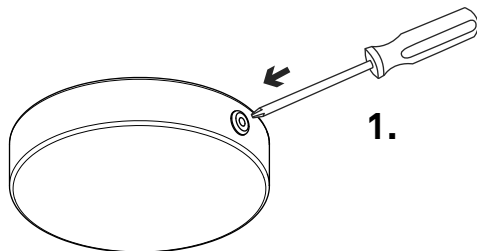
5.2



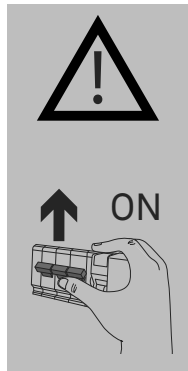
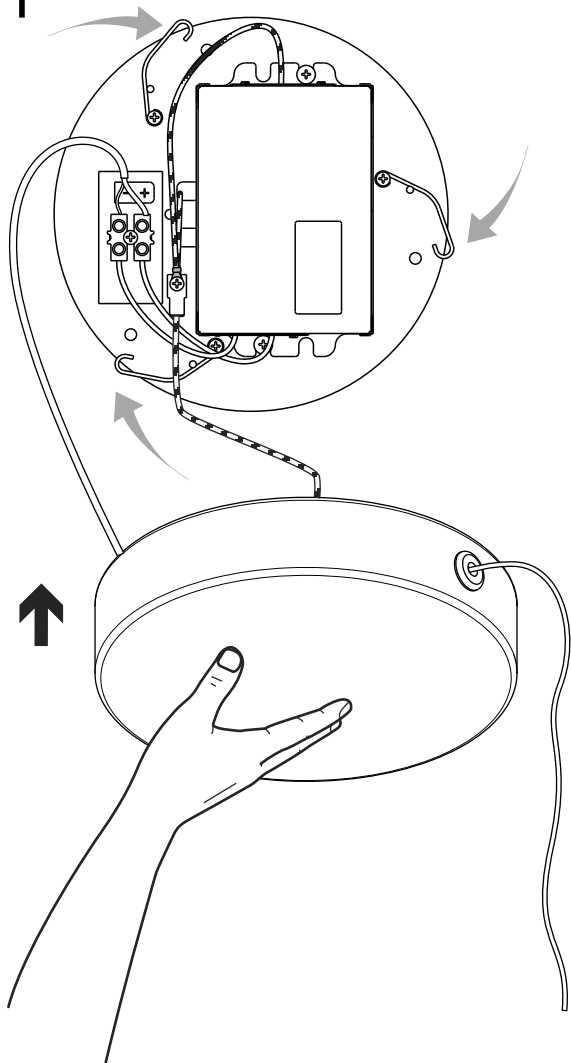
5.3



6



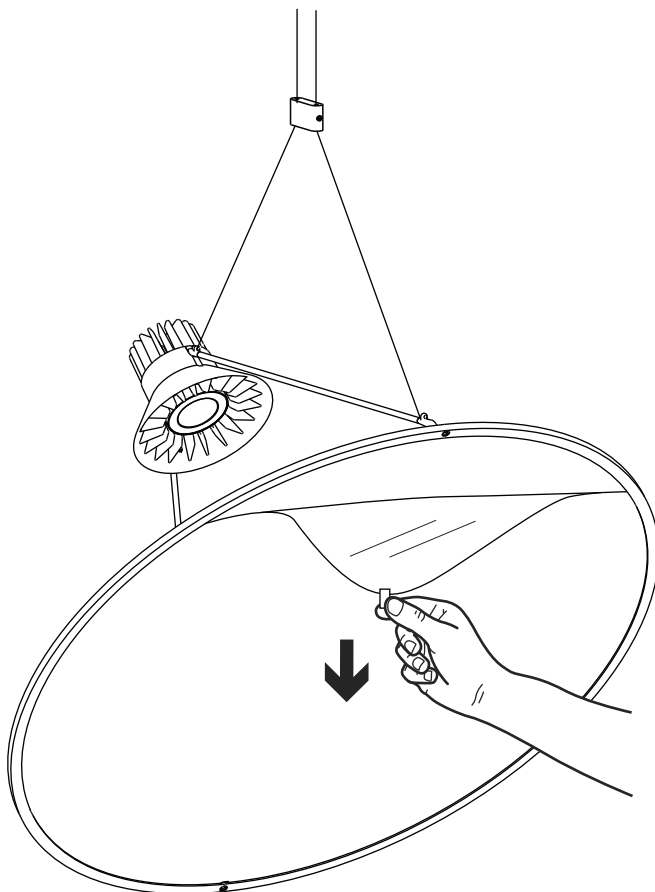
6.1



7

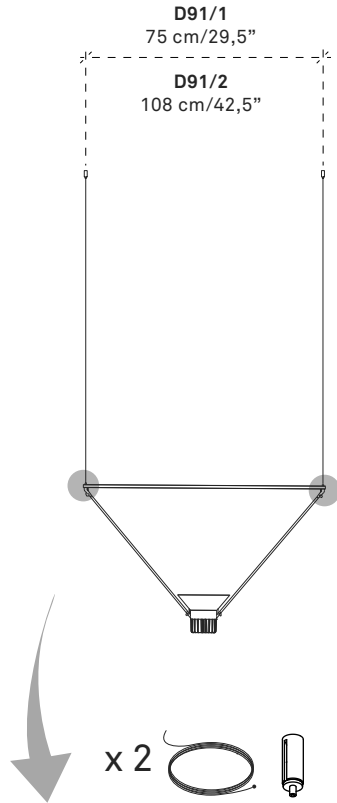
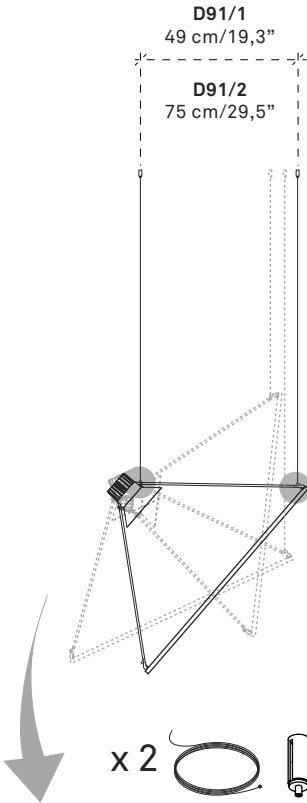


1D910/100020
1D910/100030
1D910/200020
1D910/200030



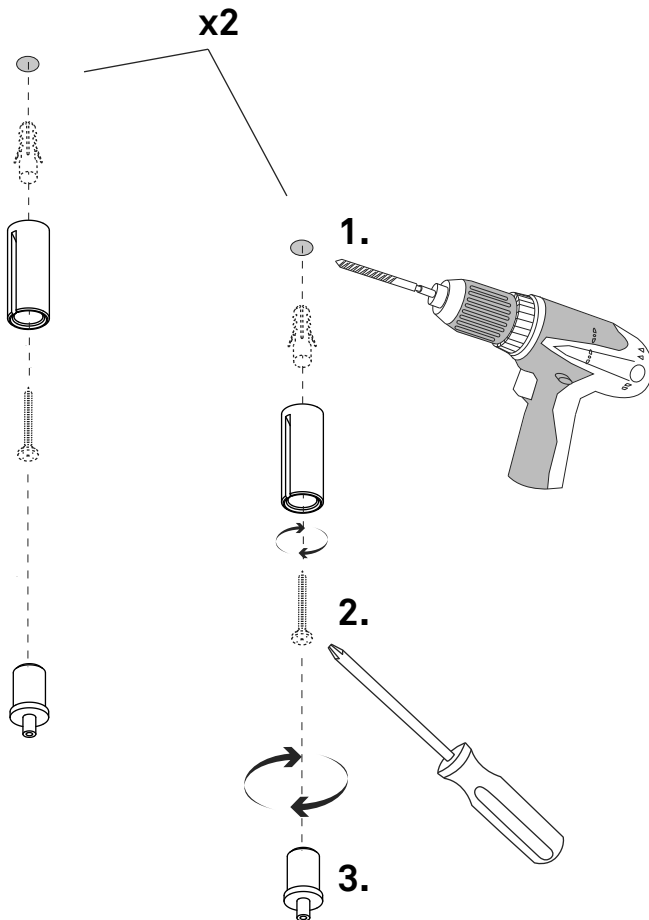
8

D91/0AAR +
D91s
D91/1
D91/2

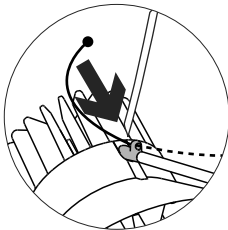
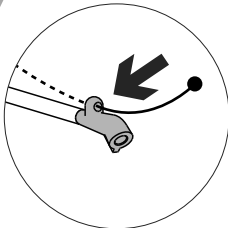
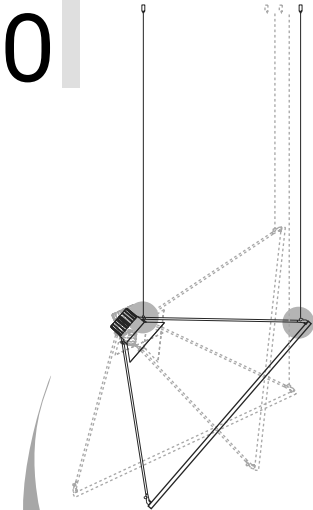


→ **3**

9

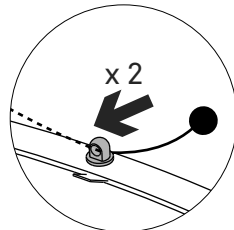
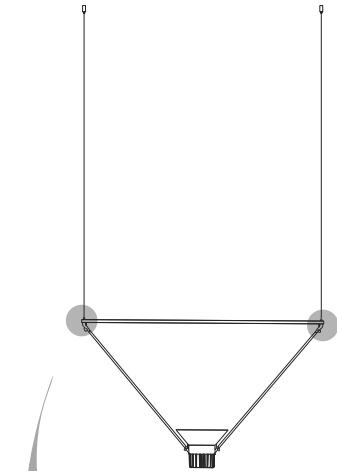


10



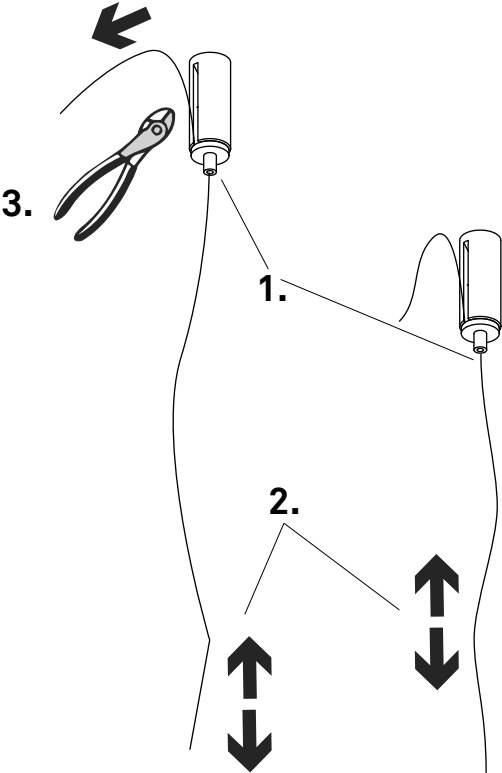
→1

→4.3

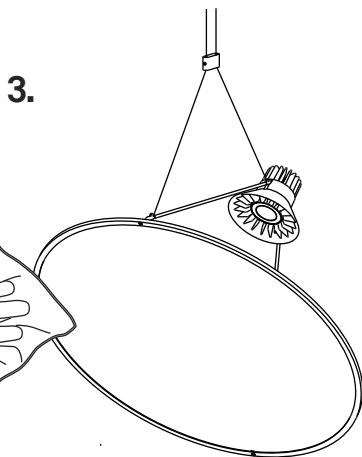
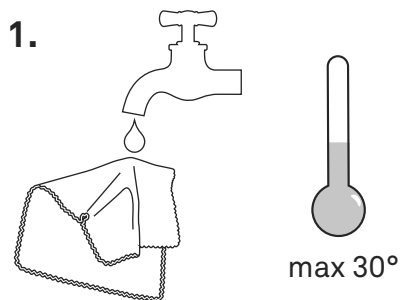
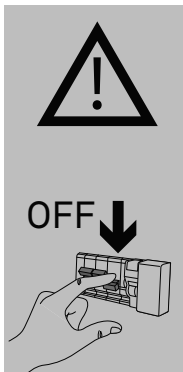


→1

→5.1



→6 | →6.1 | →7 |





www.luceplan.com

D910/A101