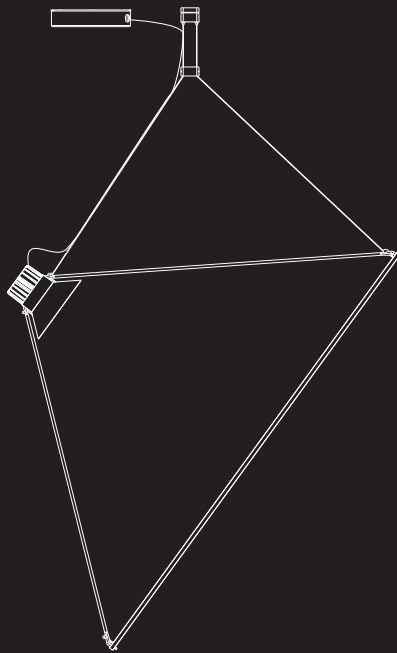


AMISOL

design Daniel Ribakken

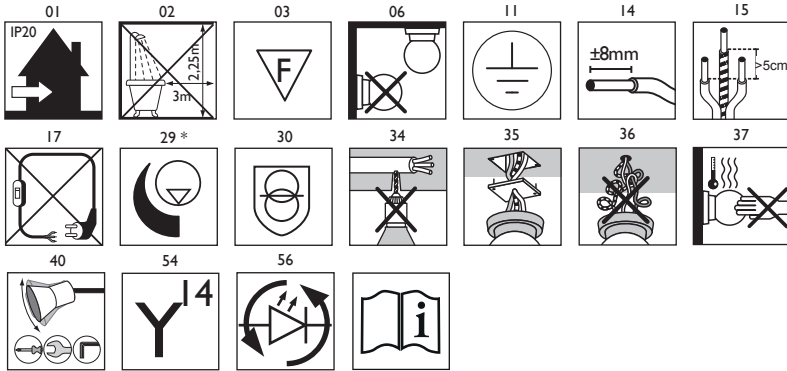


**LUCE
PLAN**

D91



D91



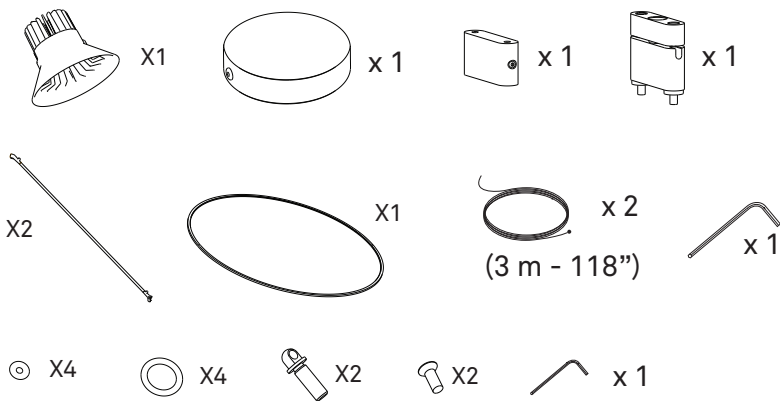
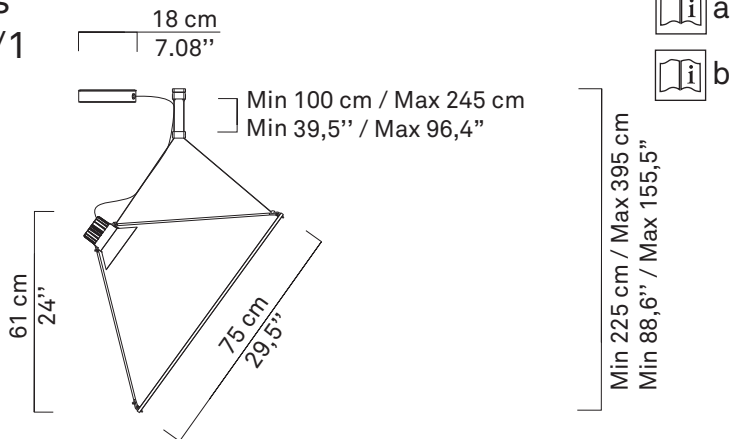
29* Amisol drivers are suitable for use with DALI - Push dimm

AMISOL

design Daniel Ribakken

D91s

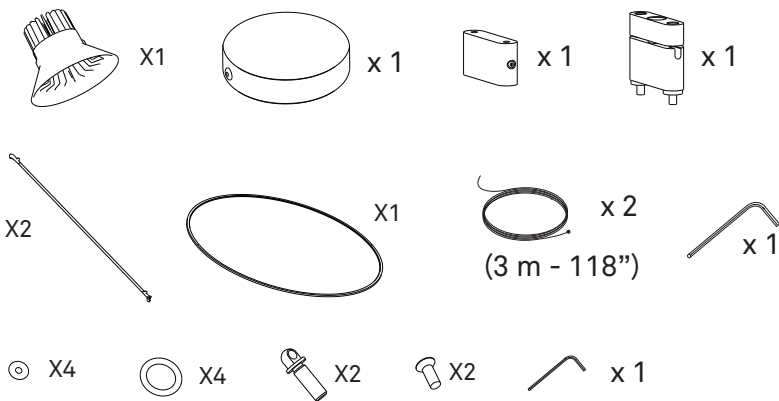
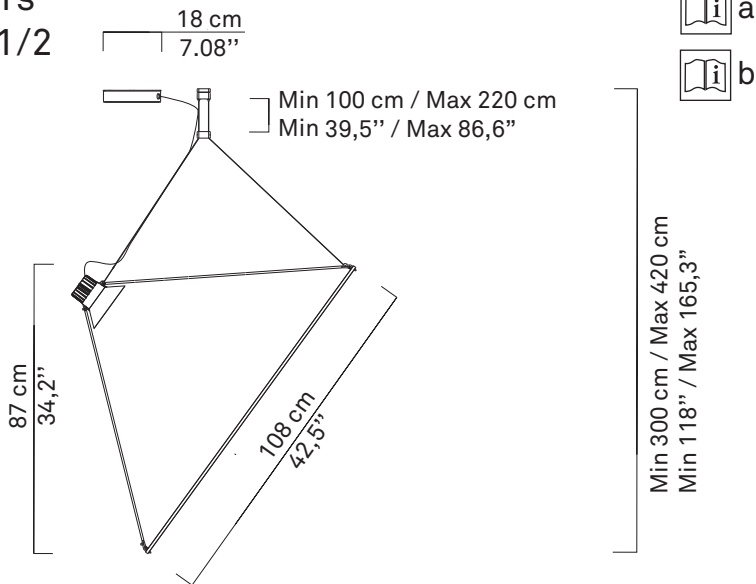
D91/1



kg 2.5 kg

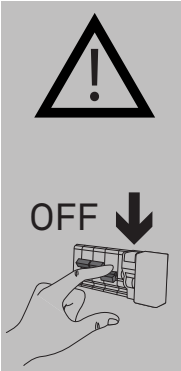
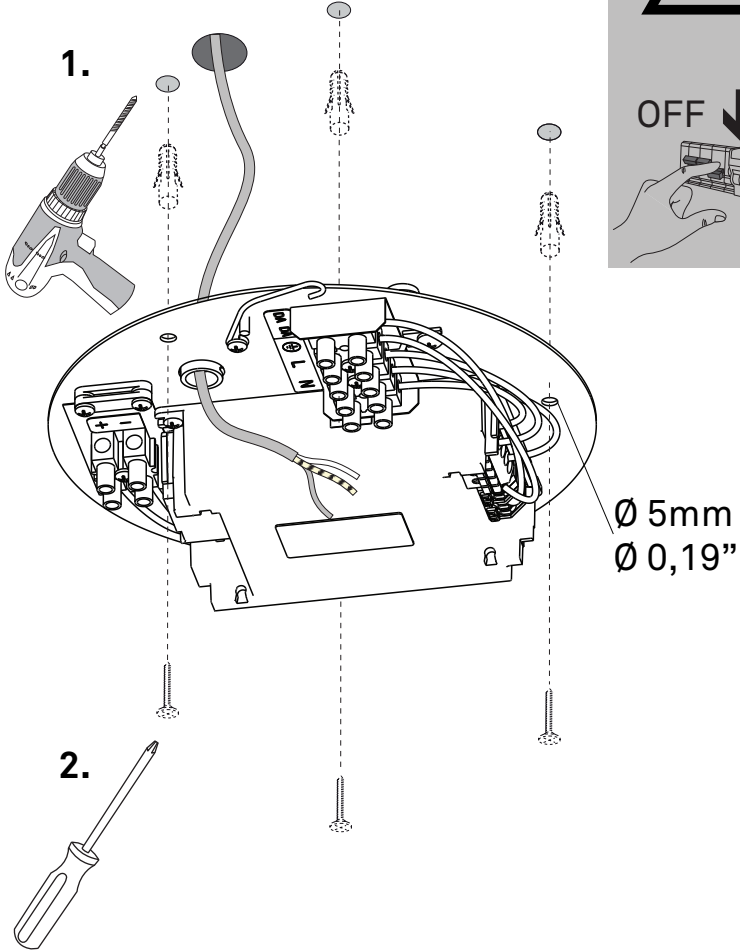
lb 5.51 lb

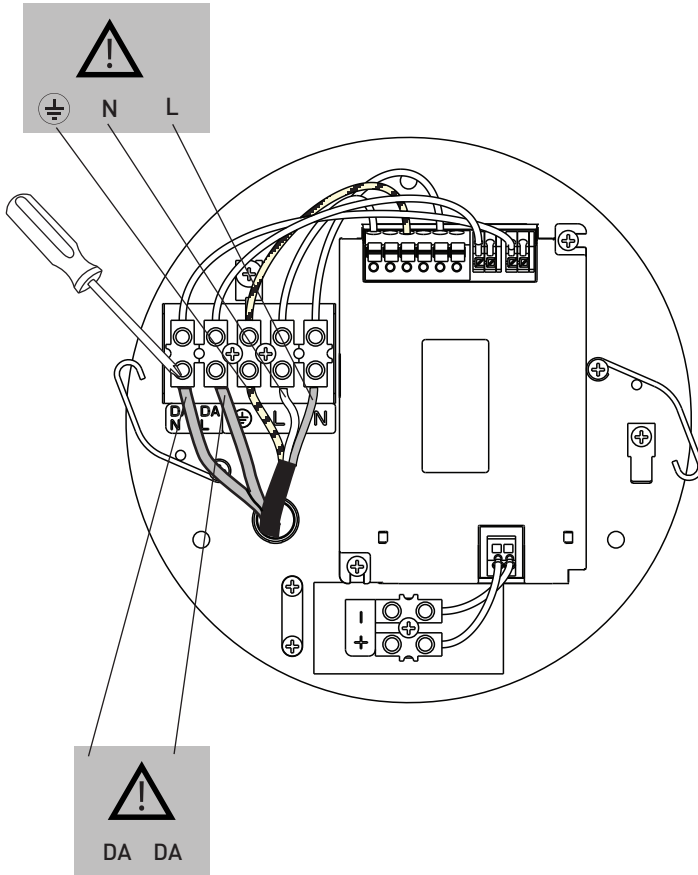
D91s
D91/2

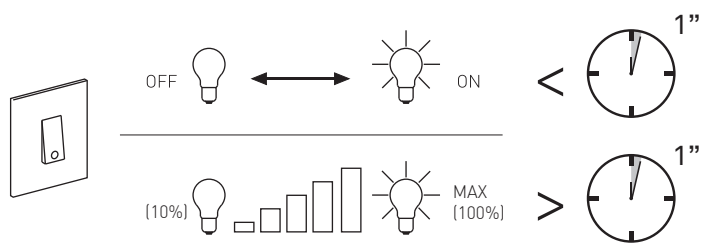
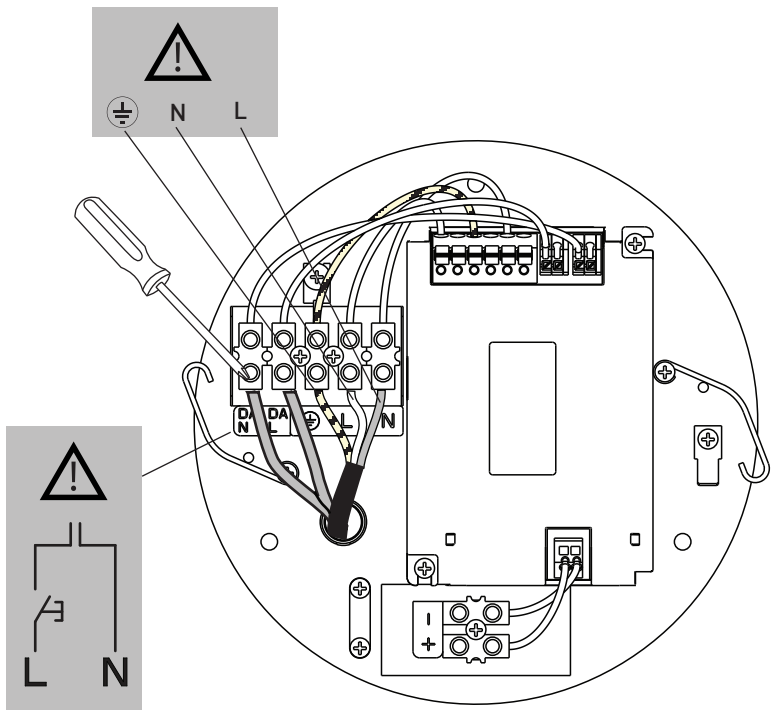


kg 3.05 kg **lb** 6.72 lb

1

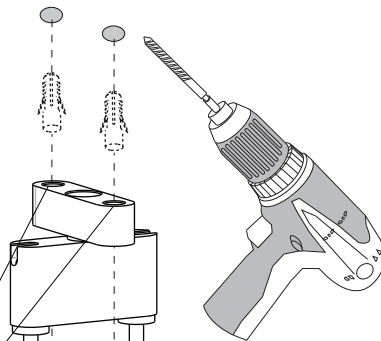
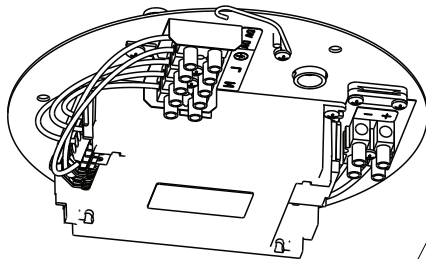






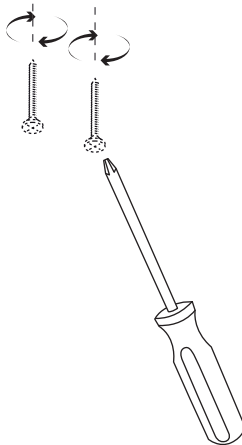
2

1.

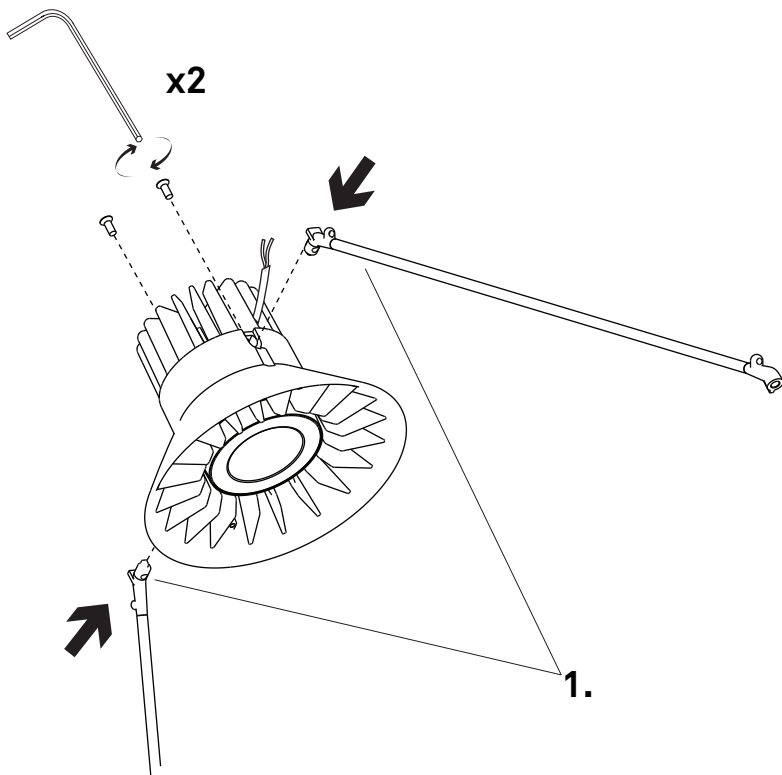


Ø 5mm
Ø 0,19"

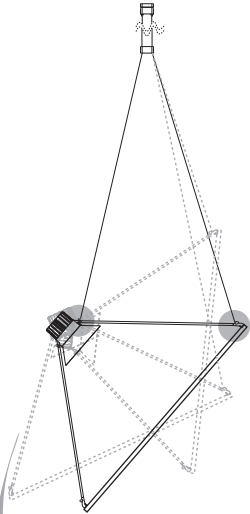
2.



3

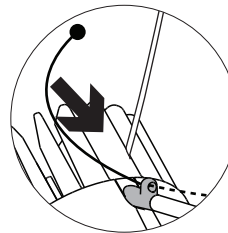
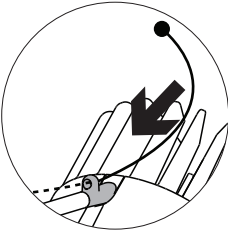
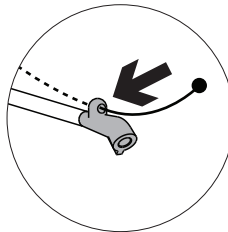
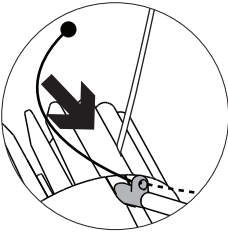


4

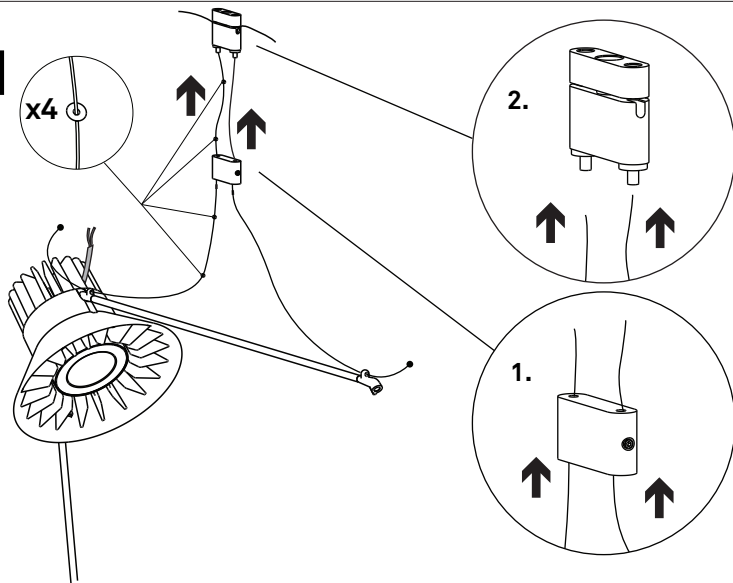


x 2 

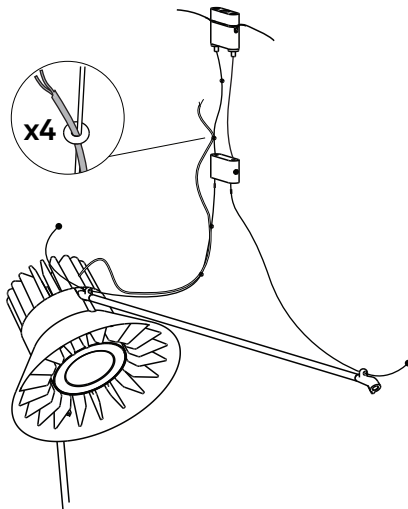
x 2 



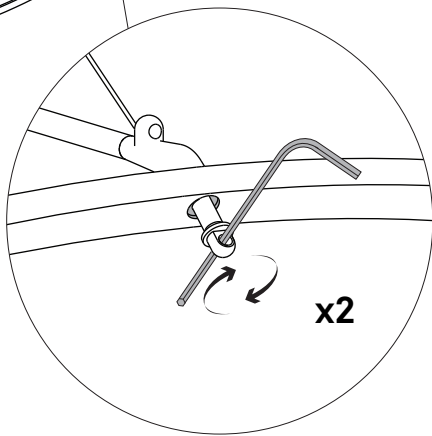
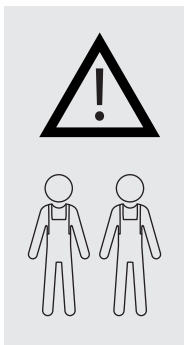
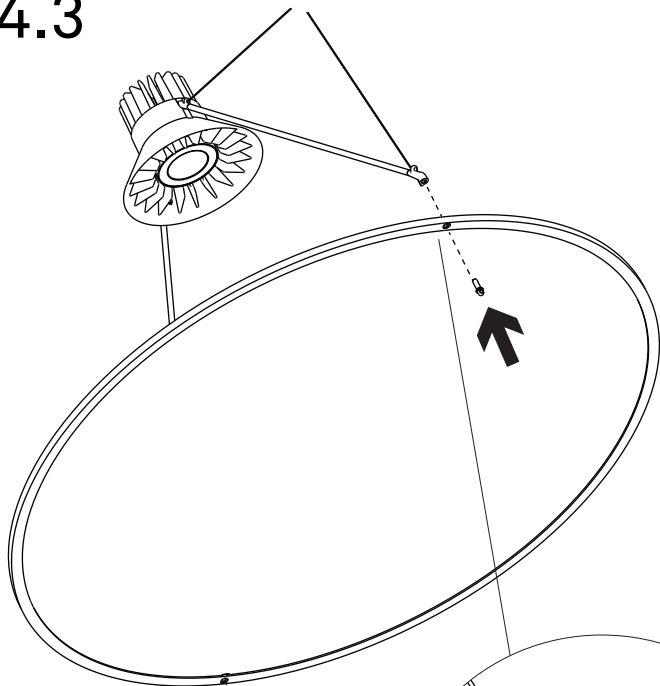
4.1



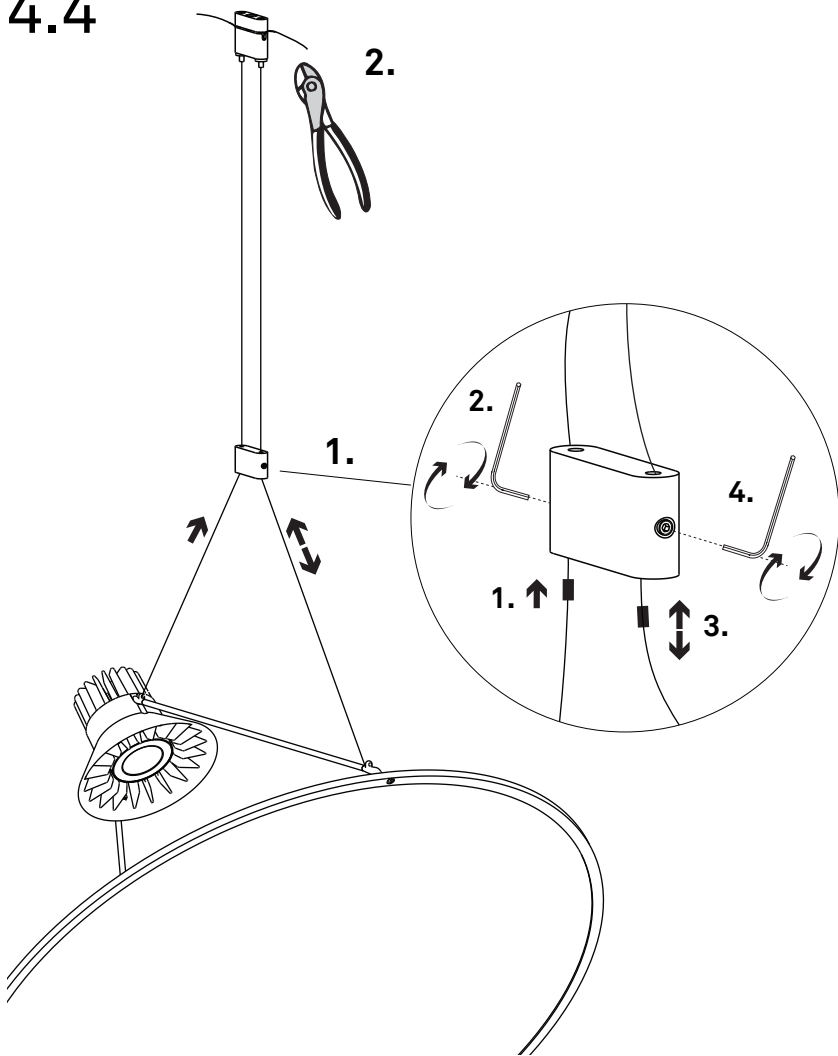
4.2



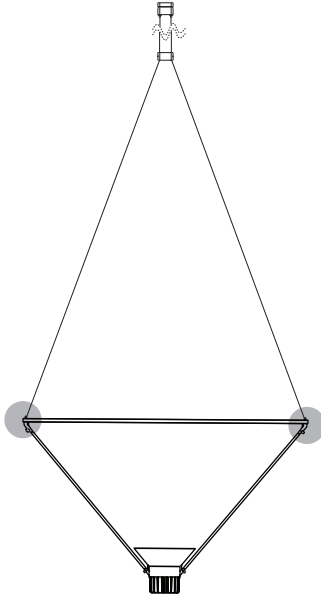
4.3



4.4



5

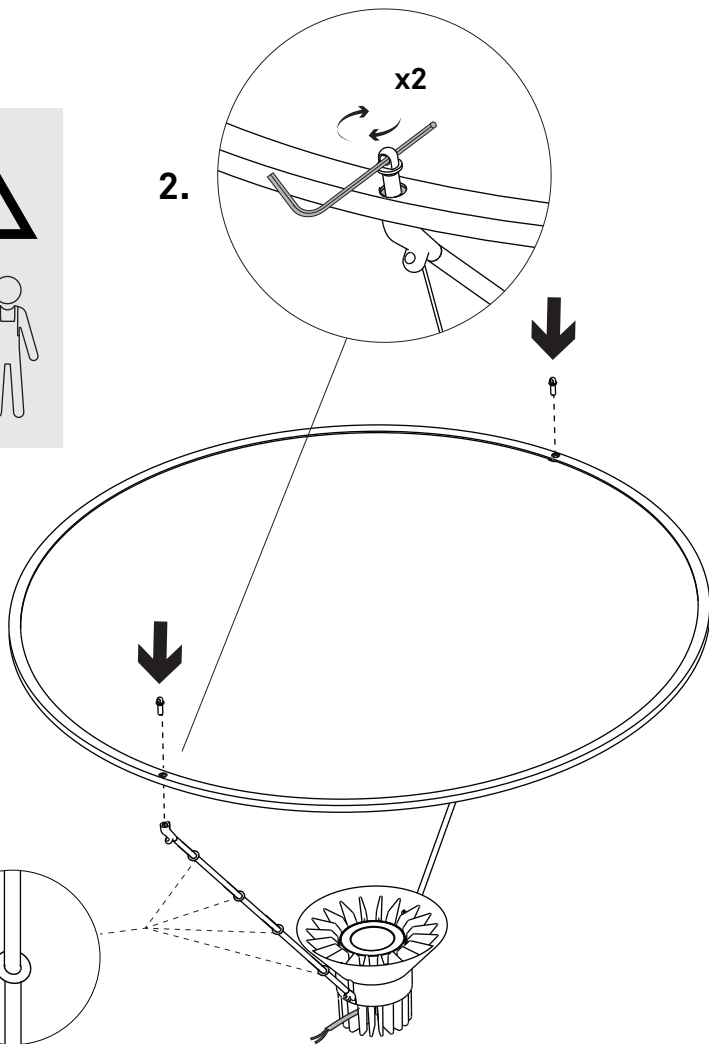
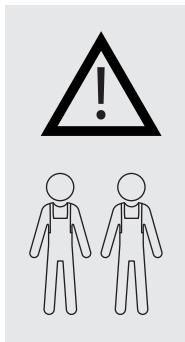


x 2

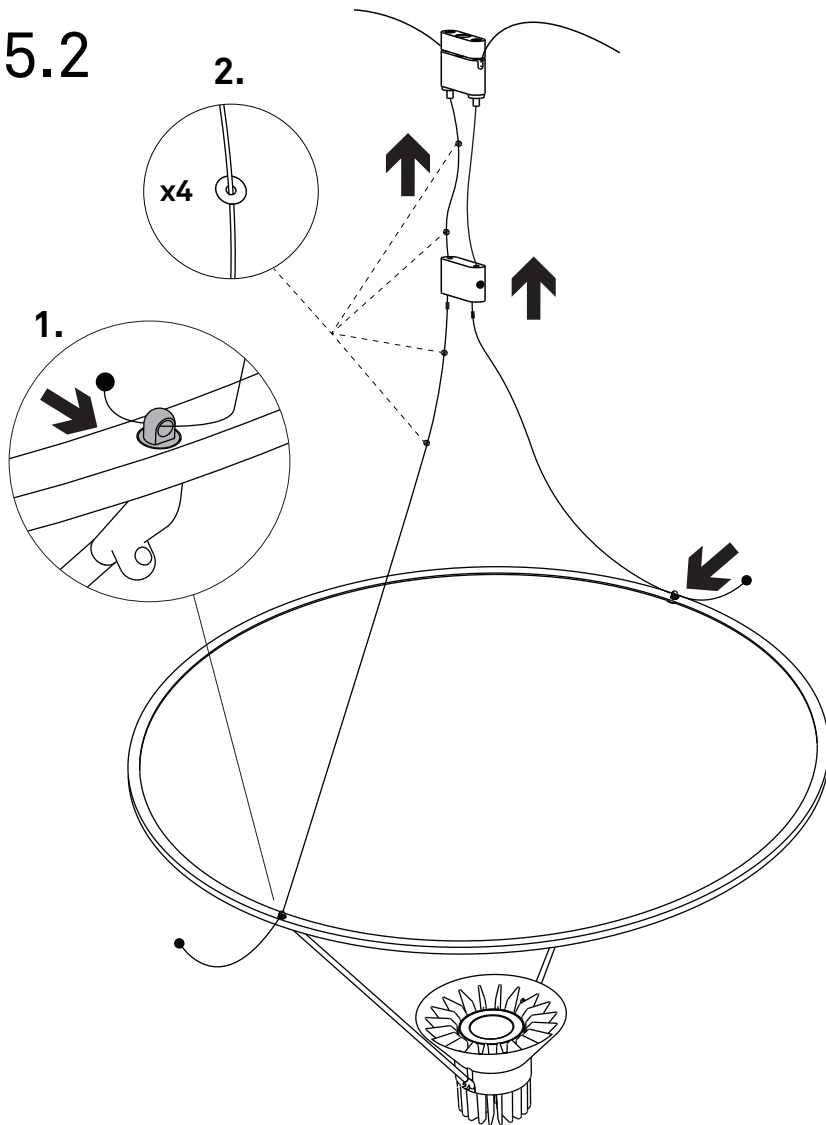


→ 3

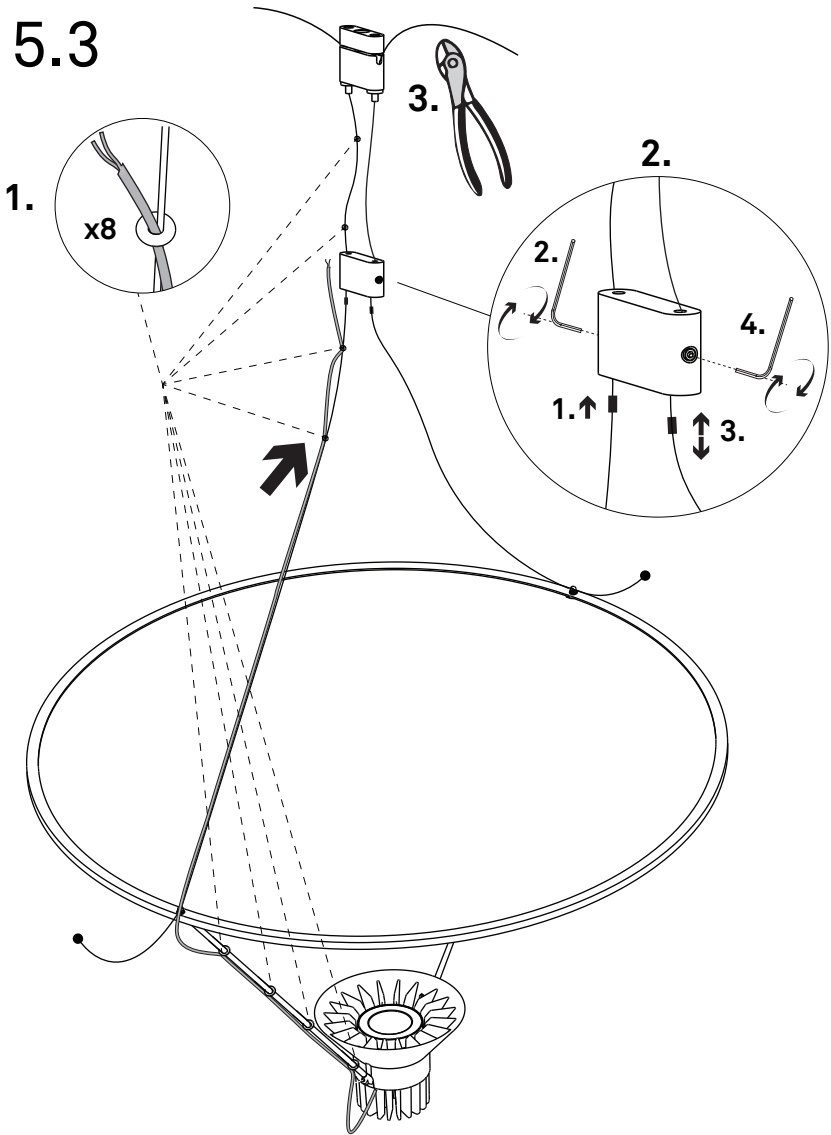
5.1



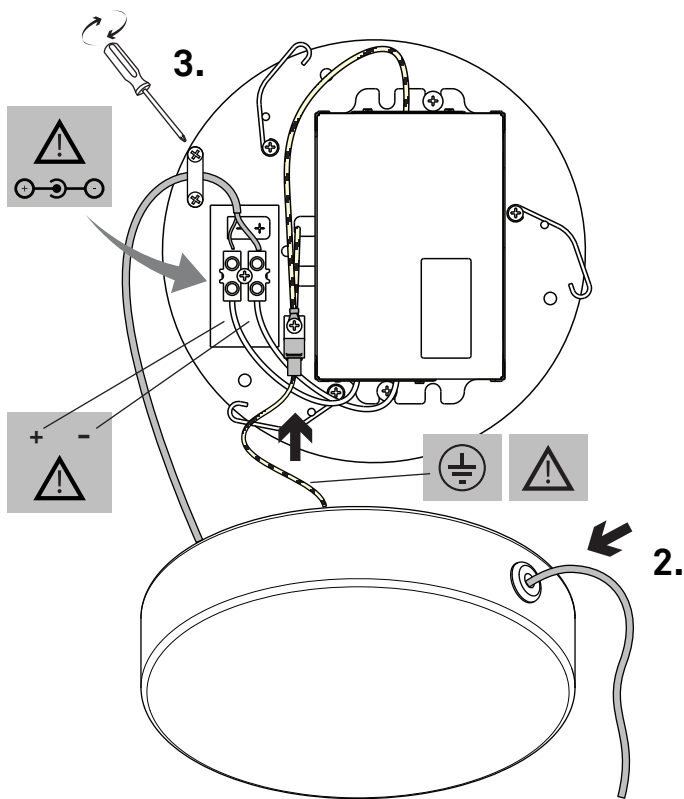
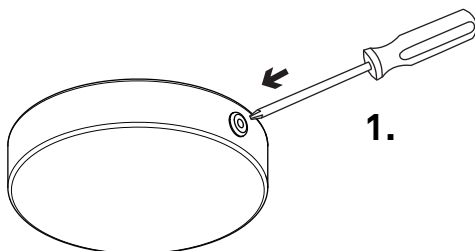
5.2



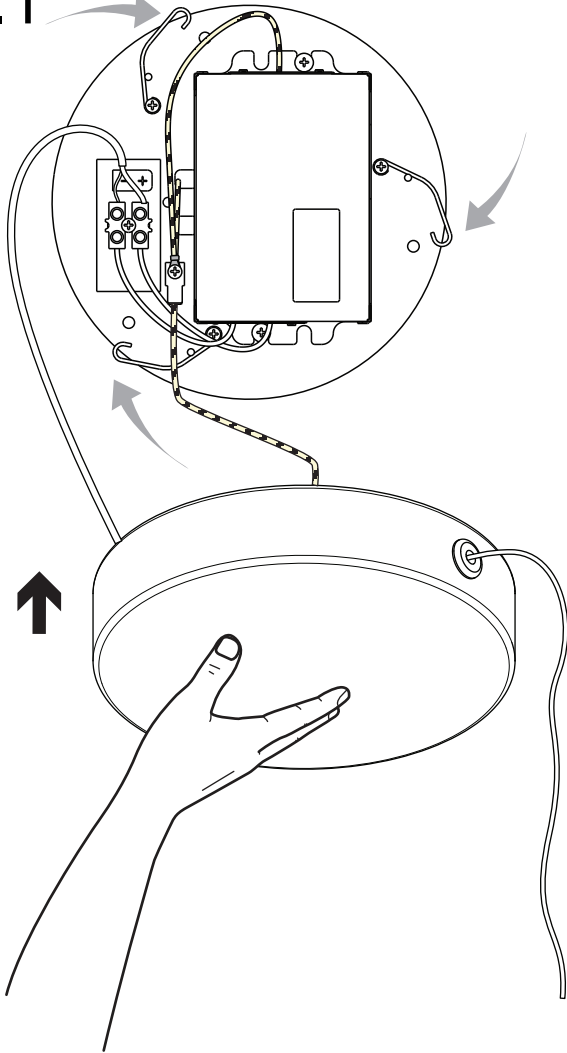
5.3



6



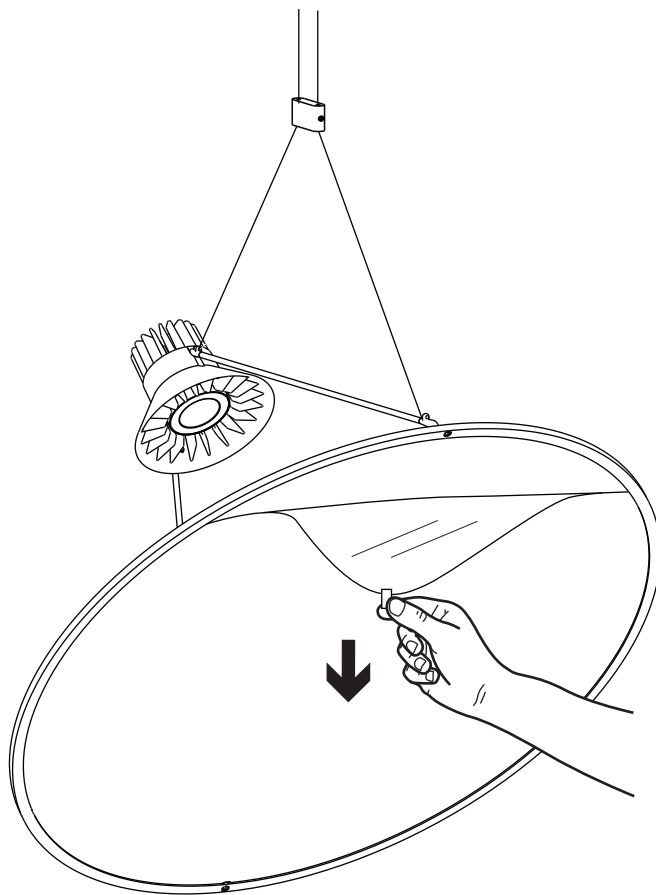
6.1



7



1D910/100020
1D910/100030
1D910/200020
1D910/200030

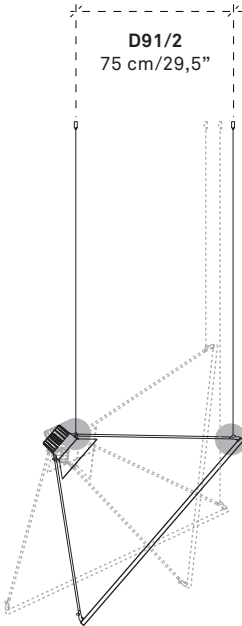


8

D91/0AAR +
D91s
D91/1
D91/2

D91/1
49 cm/19,3"

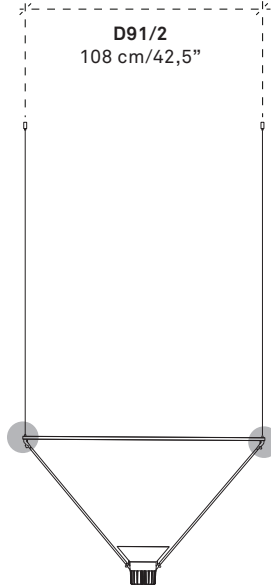
D91/2
75 cm/29,5"



x 2  

D91/1
75 cm/29,5"

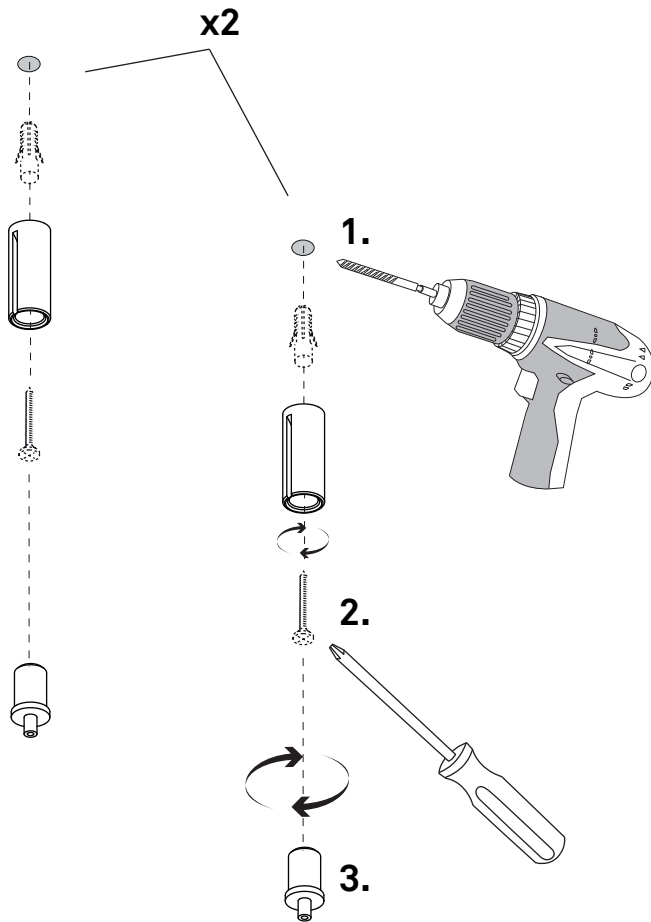
D91/2
108 cm/42,5"



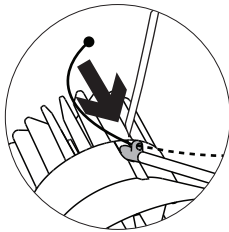
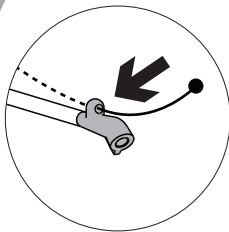
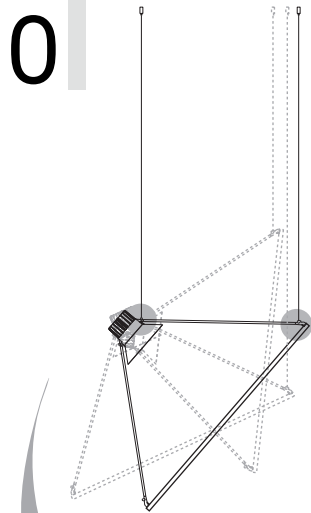
x 2  

→ **3**

9

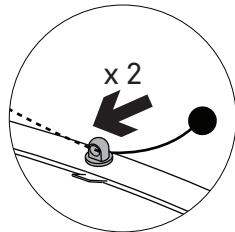
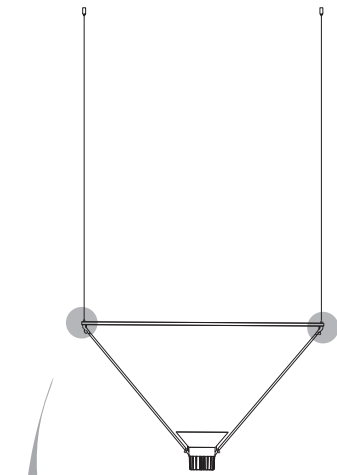


10



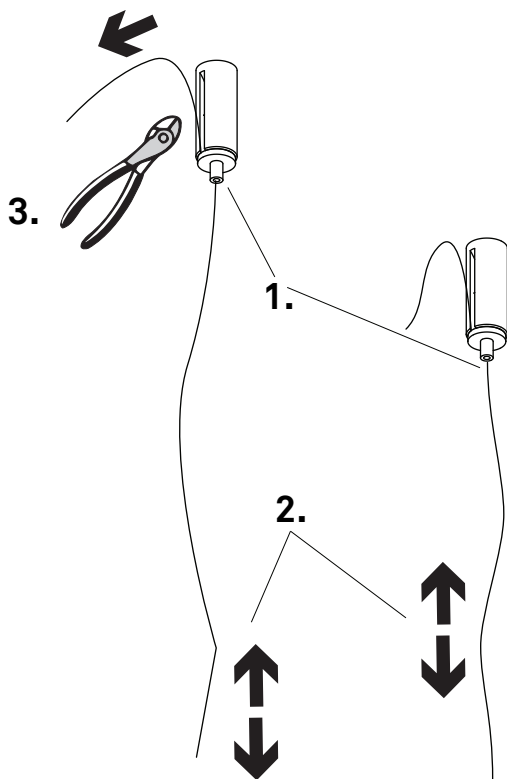
→1

→4.3

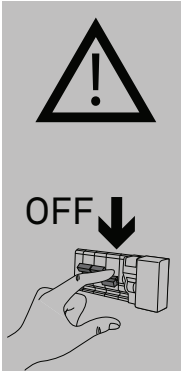


→1

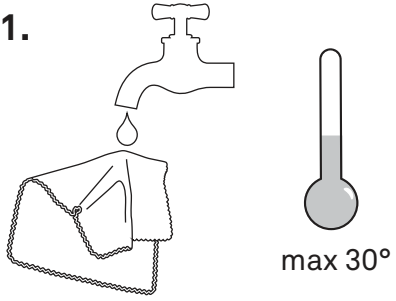
→5.1



→6 | →6.1 | →7 |



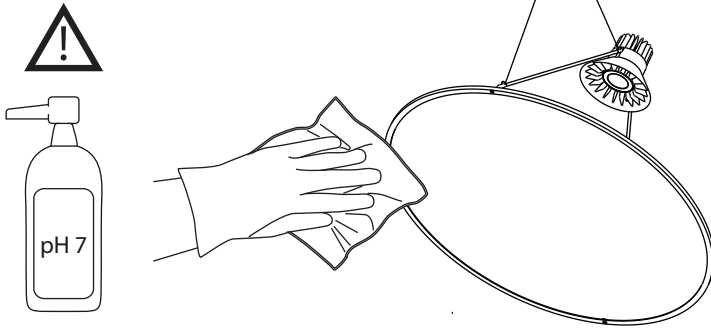
1.



2.



3.





AMISOL

design Daniel Ribakken





**LUCE
PLAN**

www.luceplan.com

D910IA001