

LUTHIEN

design Monica Armani



Type: Wall

Light source: **D85A** LED module 25W⁽¹⁾ 2700K CRI 90
@ 120V~ Triac/ELV dimmer
@ 120-277V~ 0-10V only


D85AC LED module 25W⁽¹⁾ 3000K CRI 90
@ 120V~ Triac/ELV dimmer
@ 120-277V~ 0-10V only

Product use: Indoor
Damp location
Wall mount only

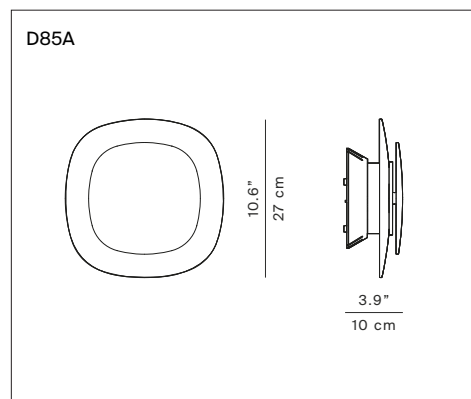
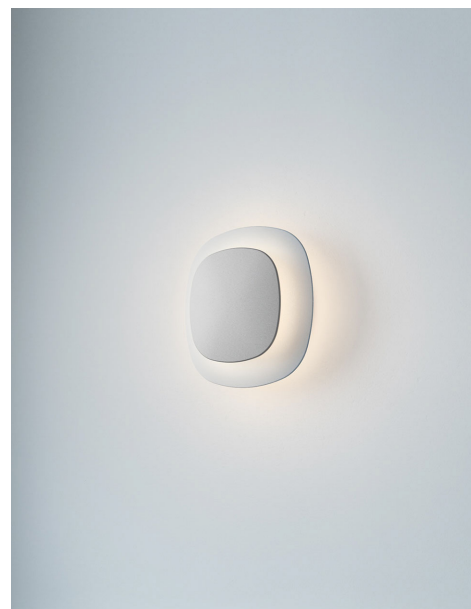
Materials: Aluminium and polycarbonate

Colors: Matt white

Description: A wall lamp with extraordinary decorative character and immediate impact. The structure is the result of the staggered overlaying of two concentric surfaces in technopolymer.

Marking:  ADA

Reference code: **D85A** 1D850A000502 white 1.438 lm
D85AC 1D850AOC0502 white 1.498 lm



⁽¹⁾ Power consumption by device

